

Project: \_\_\_\_\_ Type: \_\_\_\_\_

### Product Features

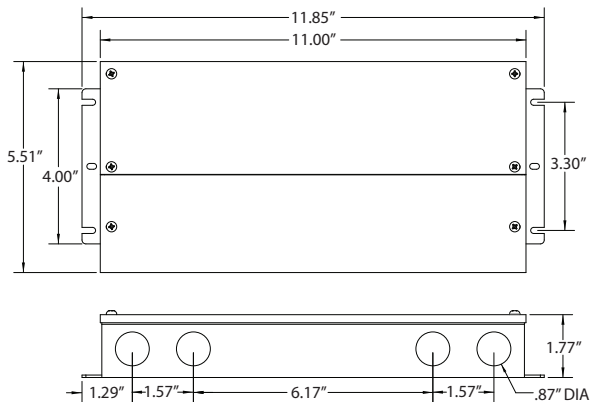
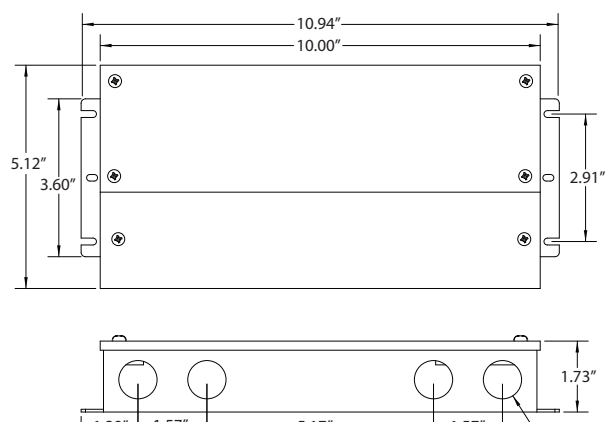
- Constant Voltage Output
- Universal 100-277VAC Input
- Multi Channels
- Class 2
- Class A Sound Rating
- Power Factor up to 0.99
- 10 - 100% load
- Variety of dimming options: ELV, MLV, TRIAC, 0-10V and PWM
- Wet location
- Short circuit, overload and over heat protection
- Built-in active PFC function
- Flicker-free
- 3 Year Warranty



### Dimensions

10.94"(L) x 5.12"(W) x 1.73"(H)  
**INF-J-180-3-5-12, INF-J-192-2-4-24**

11.85"(L) x 5.51"(W) x 1.77"(H)  
**INF-J-288-3-4-24, INF-J-300-5-5-12**



**Order and Specification Guide**

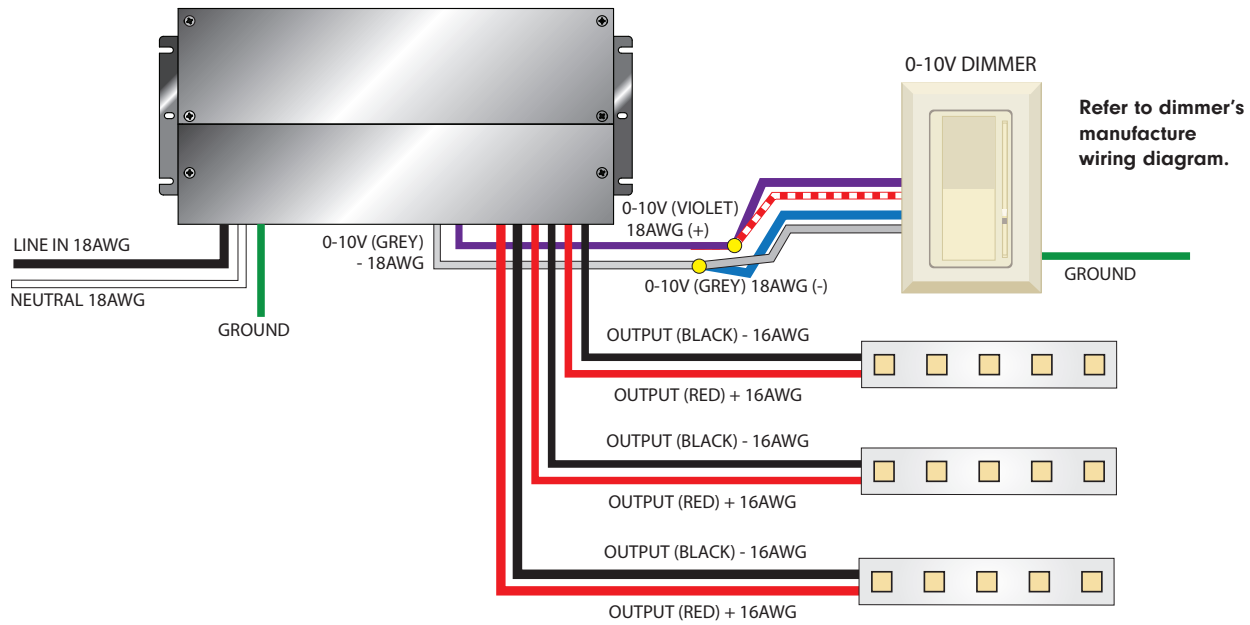
| CAT NO.                            | INF-J-180-3-5-12                                                          | INF-J-192-2-4-24        |
|------------------------------------|---------------------------------------------------------------------------|-------------------------|
| DC Voltage                         | 12V                                                                       | 24V                     |
| Transformer Classification         | Class 2                                                                   |                         |
| Rated Current                      | 5A (each circuit)                                                         | 4A (each circuit)       |
| Rated Power                        | 180W                                                                      | 192W                    |
| Number of Channel(s)               | 3                                                                         | 2                       |
| Dimming                            | Forward Phase (MLV), TRIAC, Reversed Phase (ELV), 0-10V, PWM              |                         |
| Voltage Regulation                 | ±0.5%                                                                     |                         |
| <b>Output</b>                      |                                                                           |                         |
| Input Voltage                      | 100-277VAC                                                                |                         |
| Frequency Range                    | 47-63Hz                                                                   |                         |
| Power Factor (Typ.) @ full load    | 0.99@120VAC 0.94@277VAC                                                   | 0.99@120VAC 0.94@277VAC |
| THD (Typ.) @ full load             | <20%                                                                      |                         |
| Efficiency (Typ.) @ full load      | 86% @120VAC 88% @277VAC                                                   | 87% @120VAC 89% @277VAC |
| AC Current (Max.)                  | 2.2A @100VAC                                                              | 2.3A @100VAC            |
| Inrush Current (Typ.)              | 9A, 50%, 1.3ms @120VAC<br>38A, 50%, 960us @277VAC                         |                         |
| <b>Physical</b>                    |                                                                           |                         |
| Net Weight                         | 4.9 lbs                                                                   |                         |
| Dimension                          | 10.94"(L) x 5.12"(W) x 1.73"(H)                                           |                         |
| <b>Protection</b>                  |                                                                           |                         |
| Short Circuit                      | Shut down o/p voltage, re-power on to reset the condition                 |                         |
| Over loading                       | ≥120% shutdown o/p voltage, re-power to reset the condition               |                         |
| Over heating                       | 100 °C ± 10 °C shut down o/p voltage, automatically recover after cooling |                         |
| <b>Environment</b>                 |                                                                           |                         |
| Working Temp.                      | -40 ° to +60 °C (-40 ° to 140 °F)                                         |                         |
| Working Humidity                   | 20-90% RH, non-condensing                                                 |                         |
| Storage Temp                       | -40 ° to +80 °C (-40 ° to 176 °F)                                         |                         |
| Storage Humidity                   | 10-95% RH                                                                 |                         |
| Temp. Coefficient                  | ±0.03%/°C (0-50 °C)                                                       |                         |
| Vibration                          | 10-500Hz, 5G 10 min./1 cycle, period for 60 min., each along X, Y, Z axis |                         |
| <b>Safety Compliance &amp; EMC</b> |                                                                           |                         |
| Certification                      | cULus 8750, Type HL<br>cULus 1310                                         |                         |
| Sound Rating                       | Class A - SPL (dba) 16.8 @ 20% 16.4 @ 100%                                |                         |
| Environment                        | Wet Location                                                              |                         |
| Withstand Voltage                  | I/P-O/P:1.88KVAC                                                          |                         |
| Isolation Resistance               | I/P-O/P:100M Ω/500VDC/25 °C/70%RH                                         |                         |
| EMC Emission                       | FCC 47 CFR Part 15, Subpart B                                             |                         |

## Order and Specification Guide

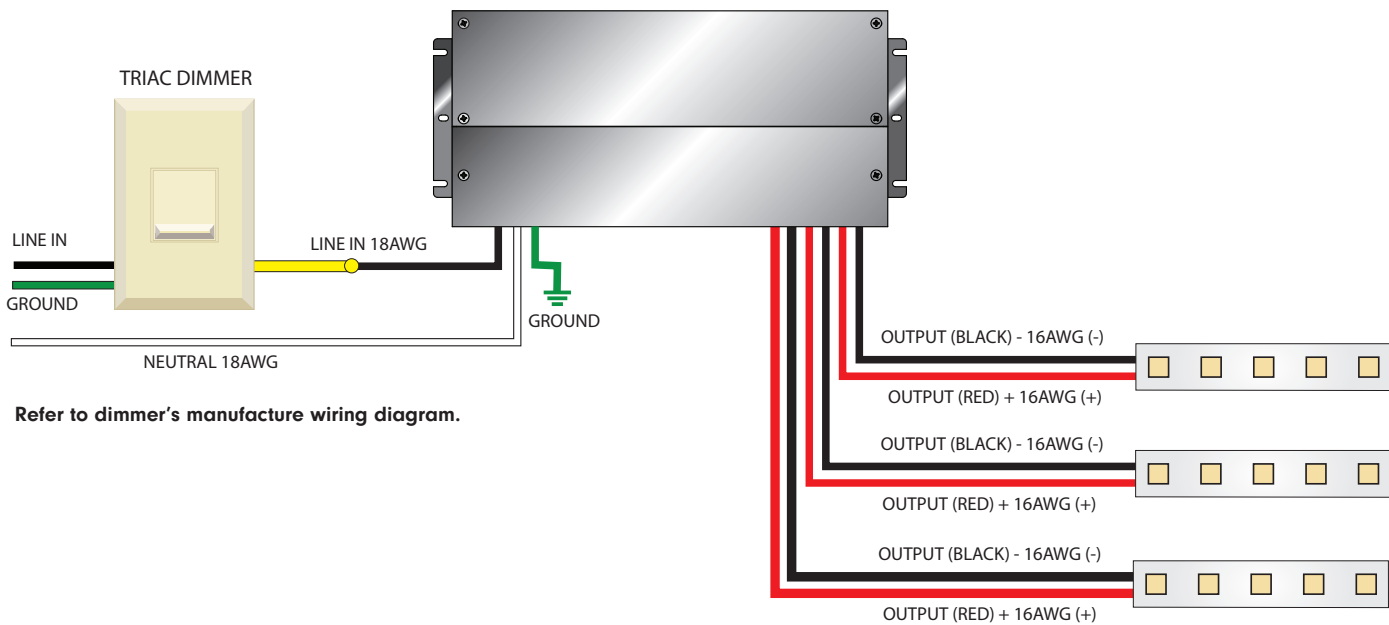
| CAT NO.                          | INF-J-288-3-4-24                                                          | INF-J-300-5-5-12        |
|----------------------------------|---------------------------------------------------------------------------|-------------------------|
| DC Voltage                       | 24V                                                                       | 12V                     |
| Transformer Classification       | Class 2                                                                   |                         |
| Rated Current                    | 4A (each circuit)                                                         | 5A (each circuit)       |
| Rated Power                      | 288W                                                                      | 300W                    |
| Number of Channel(s)             | 3                                                                         | 5                       |
| Dimming                          | Forward Phase (MLV), TRIAC, Reversed Phase (ELV), 0-10V, PWM              |                         |
| Voltage Regulation               | ±0.5%                                                                     |                         |
| <b>Output</b>                    |                                                                           |                         |
| Input Voltage                    | 100-277VAC                                                                |                         |
| Frequency Range                  | 47-63Hz                                                                   |                         |
| Power Factor (Typ.) @ full load  | 0.99@120VAC 0.95@277VAC                                                   | 0.99@120VAC 0.95@277VAC |
| THD (Typ.) @ full load           | <20%                                                                      |                         |
| Efficiency (Typ.) @ full load    | 87% @120VAC 91% @277VAC                                                   | 87% @120VAC 90% @277VAC |
| AC Current (Max.)                | 3.4A @100VAC                                                              | 3.6A @100VAC            |
| Inrush Current (Typ.)            | 35A, 50%, 960us @ 120V AC<br>43A, 50%, 1ms @ 277V AC                      |                         |
| <b>Physical</b>                  |                                                                           |                         |
| Net Weight                       | 5.30 lbs.                                                                 | 5.45 lbs.               |
| Dimension                        | 11.85"(L) x 5.51"(W) x 1.77"(H)                                           |                         |
| <b>Protection</b>                |                                                                           |                         |
| Short Circuit                    | Shut down o/p voltage, re-power on to reset the condition                 |                         |
| Over loading                     | ≥120% shutdown o/p voltage, re-power to reset the condition               |                         |
| Over heating                     | 100°C ± 10°C shut down o/p voltage, automatically recover after cooling   |                         |
| <b>Environment</b>               |                                                                           |                         |
| Working Temp.                    | -40° to 60°C (-40° to 140°F)                                              |                         |
| Working Humidity                 | 20-90% RH, non-condensing                                                 |                         |
| Storage Temp.                    | -40° to 80°C (-40° to 176°F)                                              |                         |
| Storage Humidity                 | 10-95% RH                                                                 |                         |
| Temp. Coefficient                | ±0.03%/°C (0-50°C)                                                        |                         |
| Vibration                        | 10-500Hz, 5G 10 min./1 cycle, period for 60 min., each along X, Y, Z axis |                         |
| <b>Certification and Testing</b> |                                                                           |                         |
| Certification                    | cULus 8750, Type HL<br>cULus 1310                                         |                         |
| Sound Rating                     | Class A                                                                   |                         |
| Environment                      | Wet Location                                                              |                         |
| Withstand Voltage                | I/P-O/P:1.88KVAC                                                          |                         |
| Isolation Resistance             | I/P-O/P:100M Ω/500VDC/25°C/70%RH                                          |                         |
| EMC Emission                     | FCC 47 CFR Part 15, Subpart B                                             |                         |

## Wiring Diagram

### PWM, 0-10V Dimmer Diagram



### MLV, ELV, TRIAC Dimmer Diagram



Dual Dimmer Diagram

